

THEREC ENGINEERING & CONSULTING CO.,LTD.

THEREC PROCESSING MACHINE CO.,LTD

Designer of Material handling System & Manufacturing Process for Sugar powder



Manufacturer & Importer of Sugar Processing Machines, Equipment & Components



www.thereceng.com

Therec Engineering & Consulting Co, Ltd.

Tel (662) 893 9003-4 (5 lines)

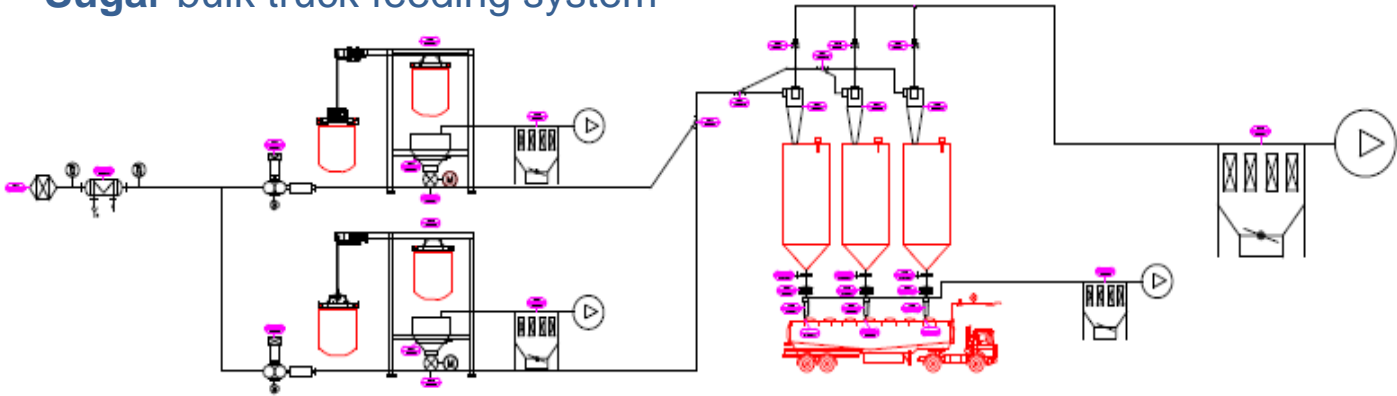
Fax : (662) 893 9005 ,893 9178

88 Soi Karnjanapisek 4/2 Karnjanapisek Rd. Bangbon Bangkok 10150 Thailand

Sugar Processing TRE&C 01 / 2018

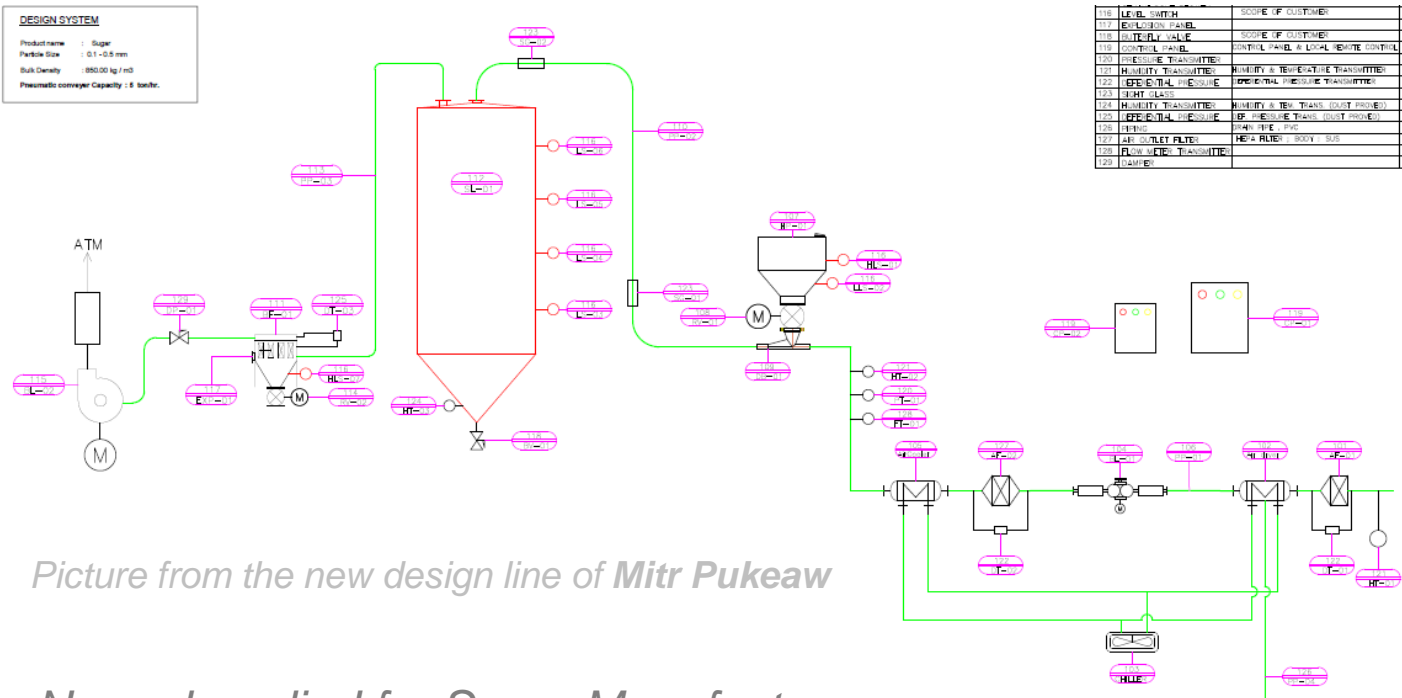
Sugar Silo Loading & Unloading Systems
Sugar Pneumatic Conveying Systems ,Bulk truck loading system
Air cooling & Air Drying system for Sugar Moisture control
Sugar Dust Explosion Protection Systems
Sugar Weighing, Grinding and Mixing Systems
Sugar Big bag unloading and filling system
Computerized Automatic & SCADA control system

Sugar bulk truck feeding system



Picture from the new design line of Tip Sugar

Sugar bagging machine feeding system



Picture from the new design line of Mitr Pukeaw

- Normal applied for Sugar Manufacturer

Sugar Powder Processing & Powder Handling System



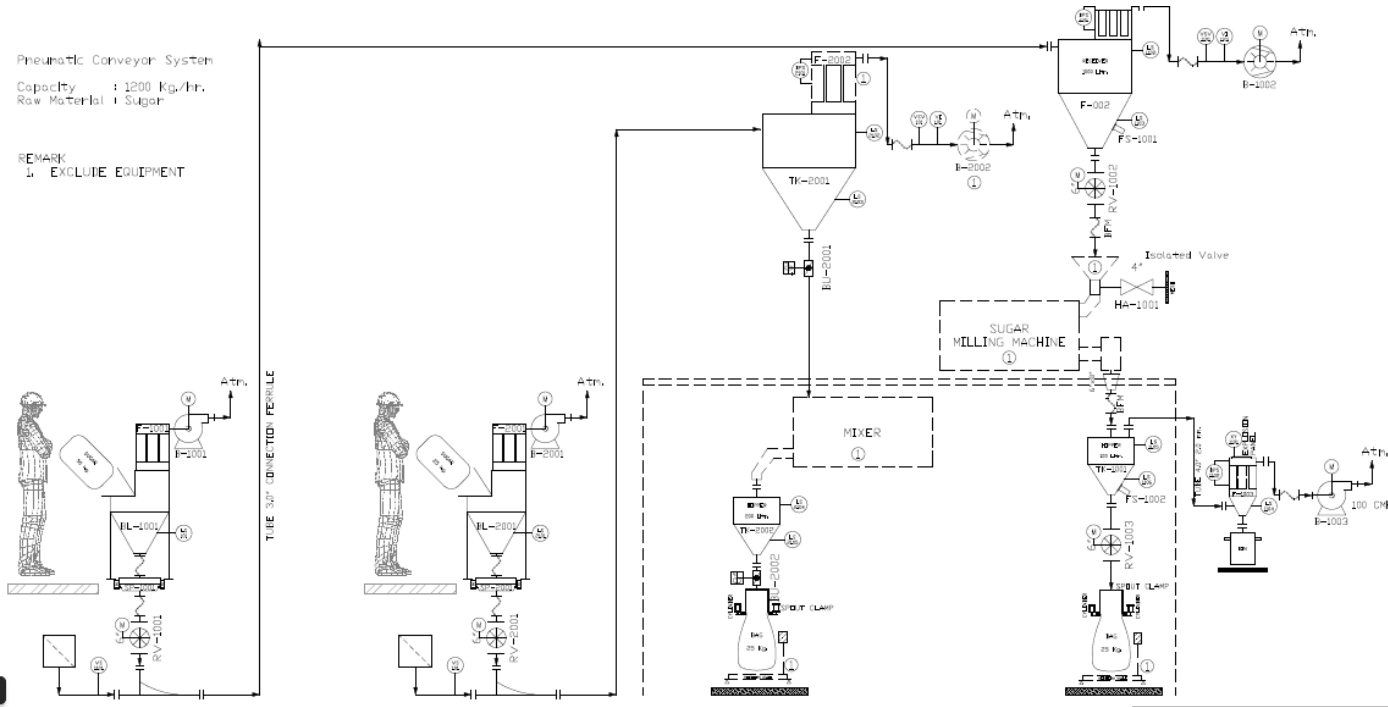
www.thereceng.com

Sugar Grinding & Dust explosion protection system

Pneumatic Conveyor System

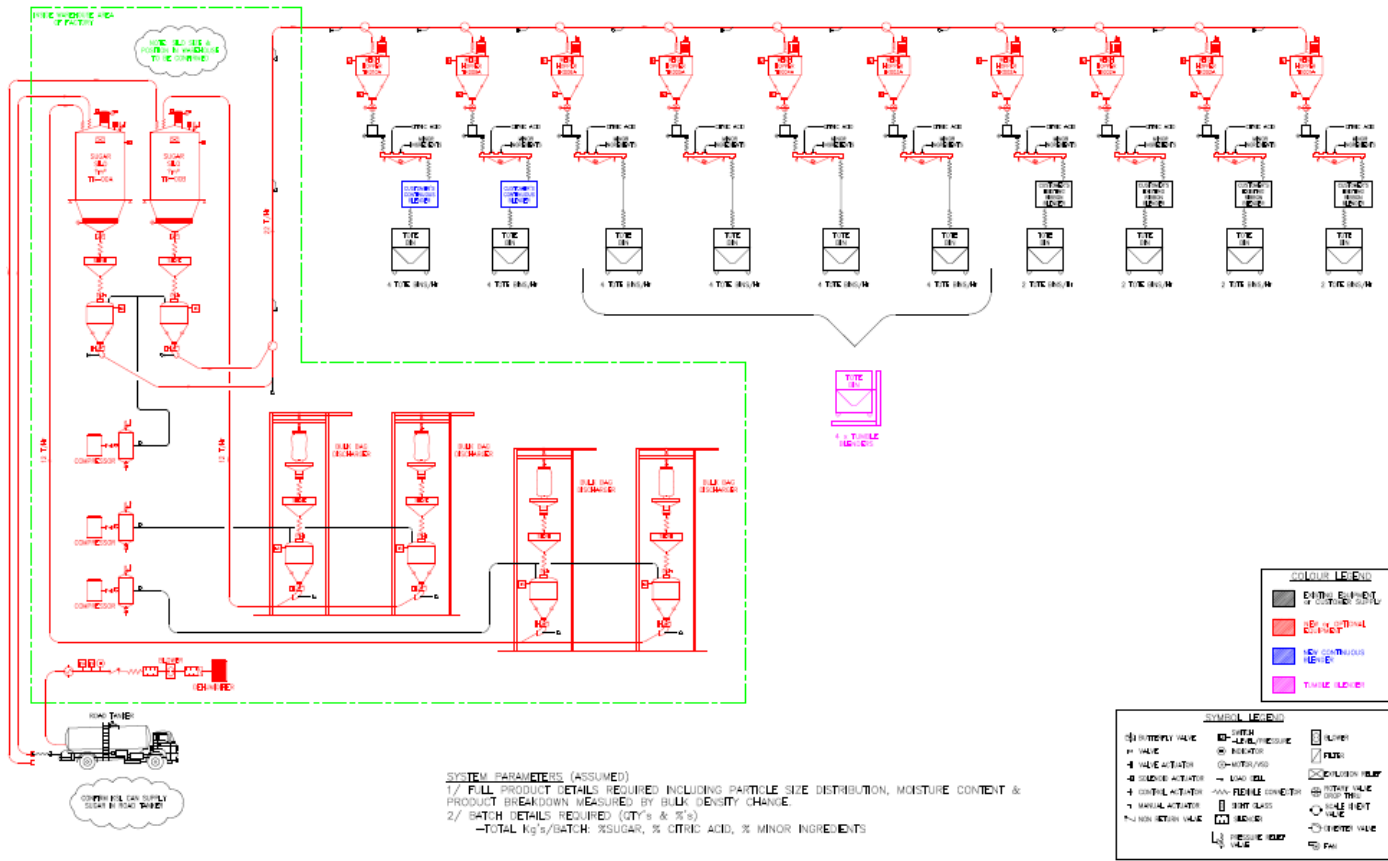
Capacity : 1200 Kg/Hr.
Raw Material : Sugar

REMARK
1. EXCLUDE EQUIPMENT

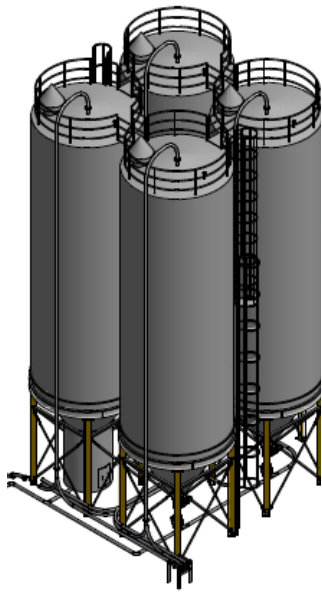


Picture from Benjanpong, a co-packer company of Nestle (Thailand)

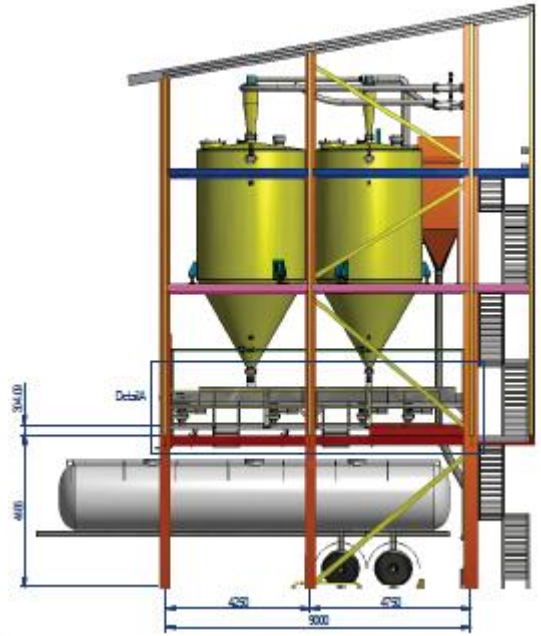
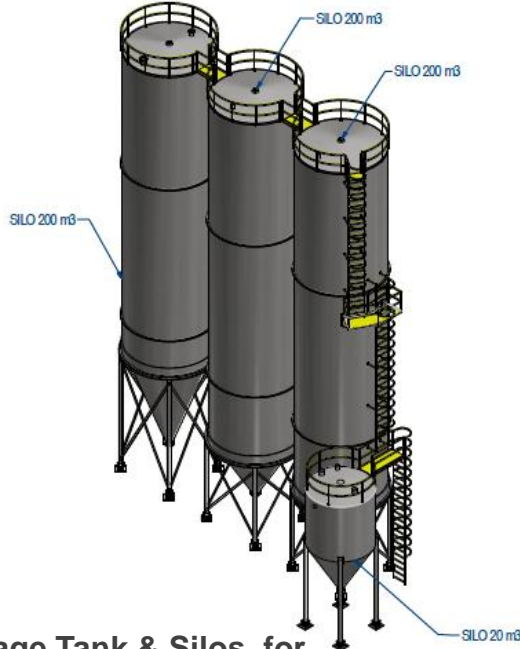
Sugar Silo loading , Process feeding , Weighting and Mixing system



Stainless steel silos & Hopper, Liquid mixer Bag filter & Cyclone



Stainless Steel Storage Tank & Silos, for Bulk truck and Big bag unloading



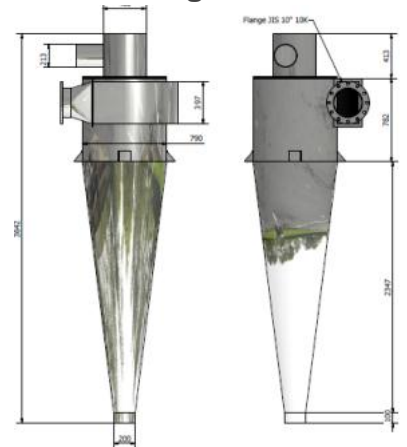
Weighting Silos for Bulk truck loading



Stainless steel tote bin



Loading Hopper



Cyclone

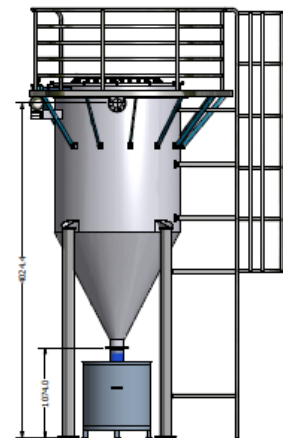
Stainless Steel Fabrication work Pieces



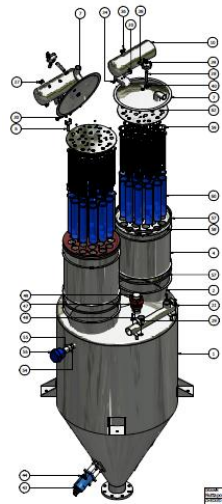
Food & Pharma processing tank



Liquid Storage tank with Agitator



Bag filter & hopper





Stainless Steel Storage Tank & Silos & Sugar Big bag unloading station



Stainless steel bag filter

Sugar collecting Cyclone



Liquid Storage tank with Agitator

Food & Pharma processing tank

Bag filter & hopper

TRT Factory Co., Ltd.

General TRT brochure 01/2016

บริษัท ที. อาร์. ที. แฟคตอรี จำกัด

Tel : (662) 156 9156 ,081 6166041

Fax : (662) 156 9157

THEREC
TRT FACTORY CO., LTD.

Head office : 88 Soi Karnjanapisek 4/2. Bangbon Bangkok 10150

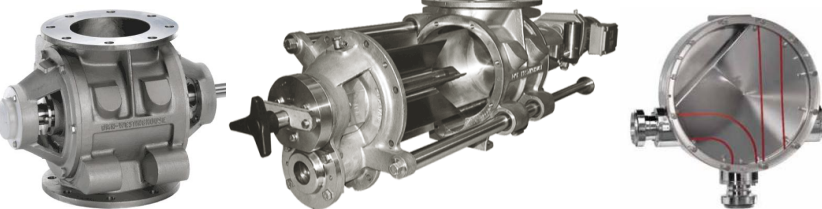
Factory : 16/2 M. 10 Nongpraongi Sainoi Nonthaburi 11150

Powder Mixer, Grinder, Sifter & Dryer
 Rotary valve & Diverter Valve, Flexible connector
 Explosive dust protection equipment
 Roots Blower, Ring blower & Vacuum pump



Imported Products

Roots /Truck/ Blower



Air lock Rotary & Diverter valve



Compression & Cam Lock couplings, Side glass



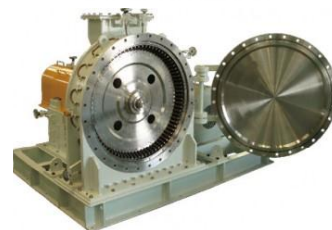
Cipriani Harrison Valves Pvt. Ltd.



Flexible connecting/Flexible hose



Dust explosion protection equipment, Bursting panel & Isolated valve



Separator, Feeder, Mixer, Pulverizer, Grinder, Dryer



Process Technologies for Tomorrow

HOSOKAWA MICRON CORPORATION

Therec Corporation Ltd. www.thereccorp.com

Tel ☎ (662) 893 9003-4 Fax : (662) 893 9005

88 Soi Karnjanapisek 4/2 Karnjanapisek Rd. Bangbon Bangkok 10150 Thailand

General product TRTT02 / 2016





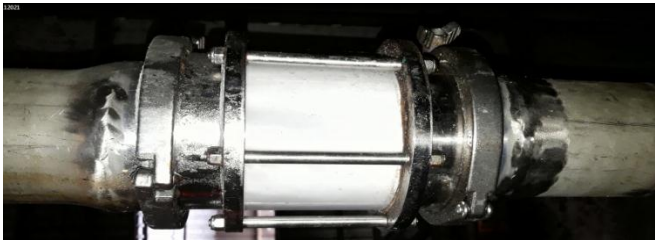
**High pressure Roots blower
Package with Air dryer & Air cooler
for Sugar conveying line**

Mitr Pukeaw Factory
United Farmer Industry Co.,Ltd.



**Food grade Air lock Rotary valve
For sugar & malt powder**

AB Food Co., Ltd. / Ovaltin



**Side glass for sugar conveying line
Mitr Pukeaw Factory**

 *Cipriani Harrison Valves Pvt. Ltd.*



**Sugar Vibrating screen Flexible connecting
Ueno Fine Chemical Industry (Thailand) Ltd.**

**Sugar Milling Machine Flexible connecting
Benjanpong Co.,Ltd. / A co-packer of Nestle (Thailand)**



**Dust explosion protection equipment,
Bursting panel & Isolated valve
Benjanpong Co.,Ltd.**

VIGILEX®  CE



Lump Breaker, Rotary valve, Diverter Valve
Easy clean Screw Conveyor, Small bag dumping Stations

Manufacturing Products



Rotary valve



Diverter valve



Easy clean Screw Conveyor



Lump Breaker



Big Bag Unloading Station

Small Bag Dumping (Tipping) Station

Therec Corporation Ltd. www.thereccorp.com

Tel ☎ (662) 893 9003-4 Fax : (662) 893 9005

88 Soi Karnjanapisek 4/2 Karnjanapisek Rd. Bangbon Bangkok 10150 Thailand
General product TRTT02 / 2016

บริษัท เทอร์เรค คอร์ปอเรชั่น จำกัด

THEREC

THEREC CORPORATION LTD.



Air lock Rotary & Diverter Valve / Product Sampling Valve / Mitr Pukeaw Factory
Sugar dust from vibrating screener. blow to packing machine



Gravity feed Diverter
Ratchaburi Sugar Co., Ltd.
Refine suagr



Outboard Rotary valve
Thip Sugar Co., Ltd.
Refine sugar



Compact Rotary valve
Benjanpong Co., Ltd.
Sugar grinding macine



Easy clean screw conveyor
AB Food (Thailand) Ltd. / Ovaltin
Sugar + Malt + Milk powder

Lump Breakers / Mitr Puieng. / Brown Sugar



Big Bag Unloading station
Dutch Mill Co., Ltd.
Sugar + Milk powder

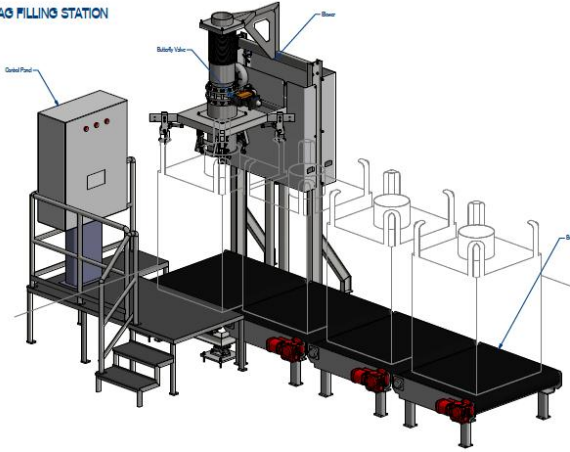
Big Bag Unloading station
AB Food (Thailand) Ltd. / Ovaltin
Sugar + Milk powder

Big Bag Unloading station / Sugar
TIPCO Food Co., Ltd.

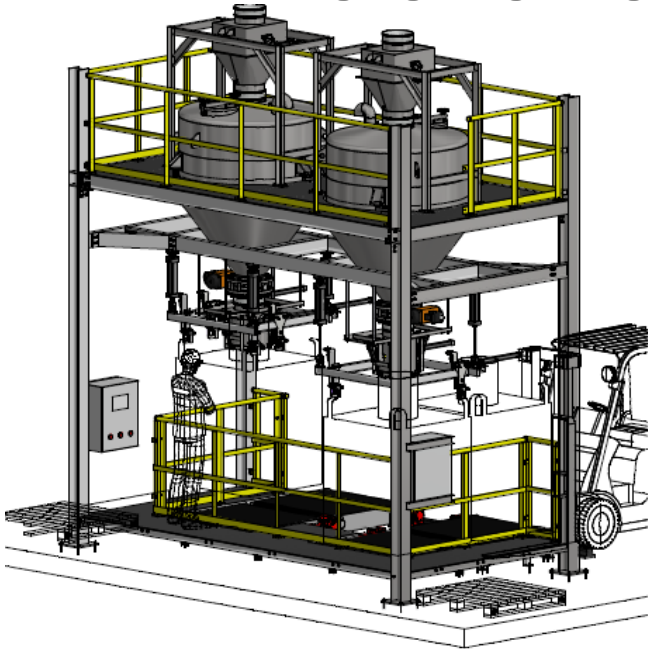


Big Bag Filling Machine, Micro Feeder & Load cell

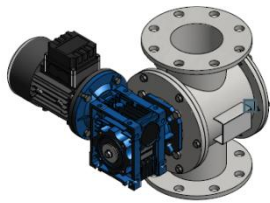
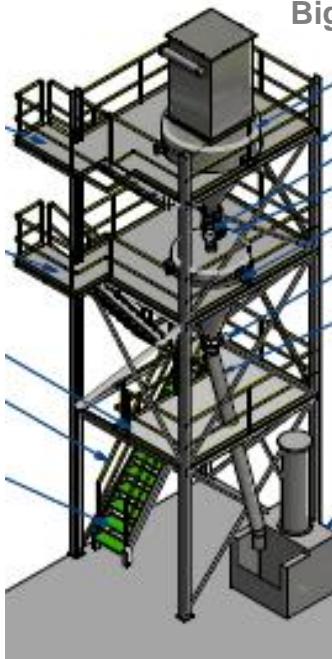
BAG FILLING STATION



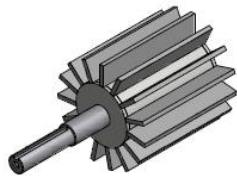
Big Bag Filling & Weighting Station / Low speed / Hopper Scale



Big Bag Filling & Weighting Station / High Speed / Platform Scale



COMPACT TYPE ROTARY VALVE

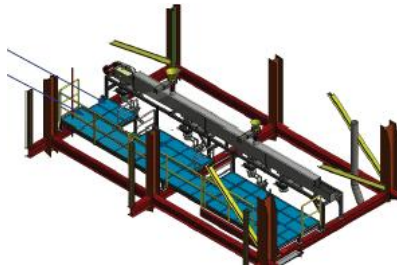
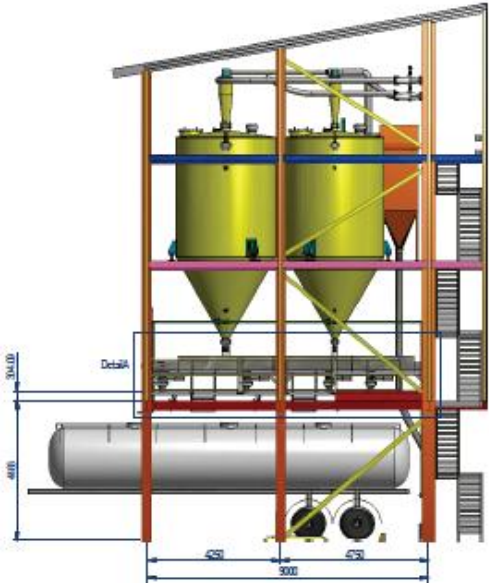


RC-ROTOR

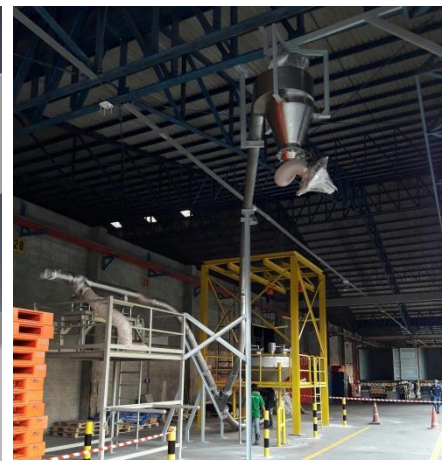
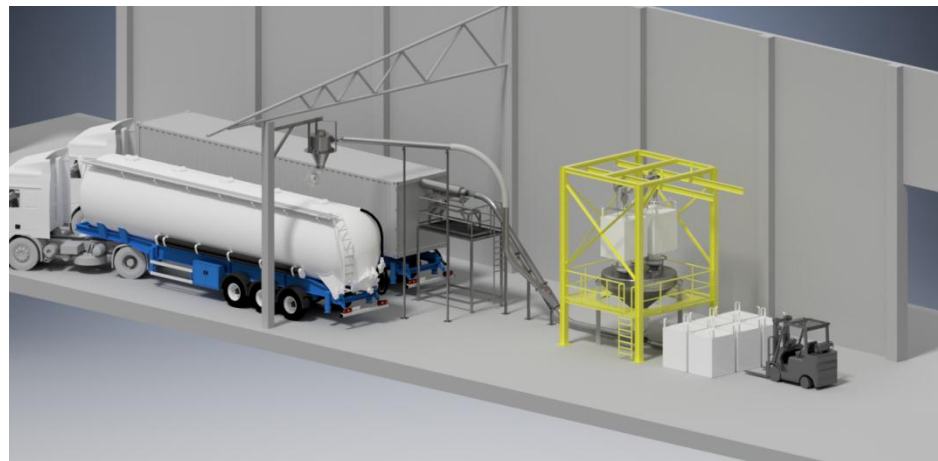


Weighting and Feeding Station

Big Bag Filling Machine, Micro Feeder & Load cell



Bulk Truck Loading station



Container & Bulk Truck Loading station



Low profile mounting assembly
Atex & IECEx Certification



Install and Removal
without lifting tool



Anti Vibration
type



Silo mount



Smart Digital
Display



XT 200 model



Junction box



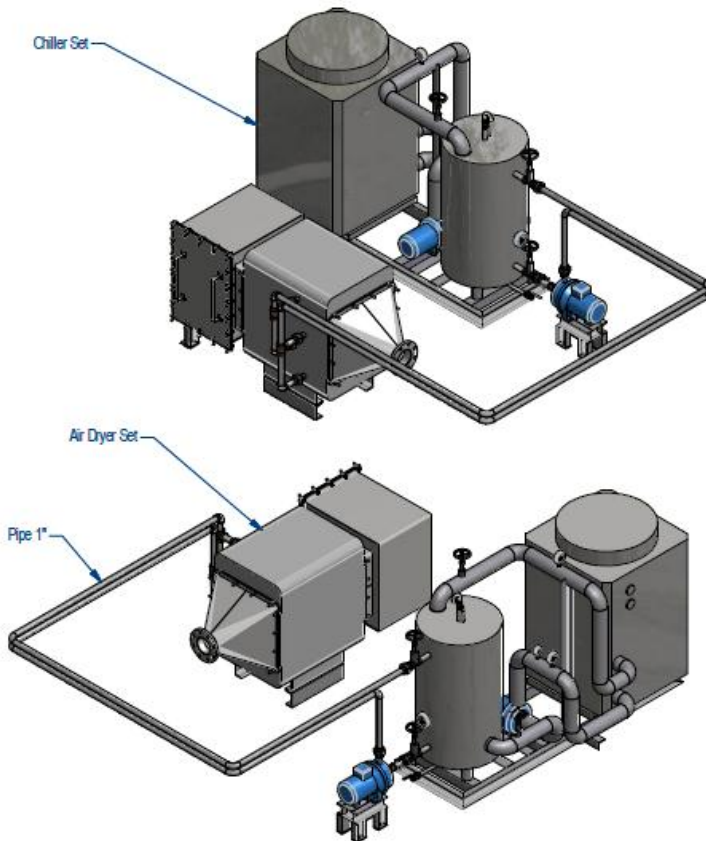
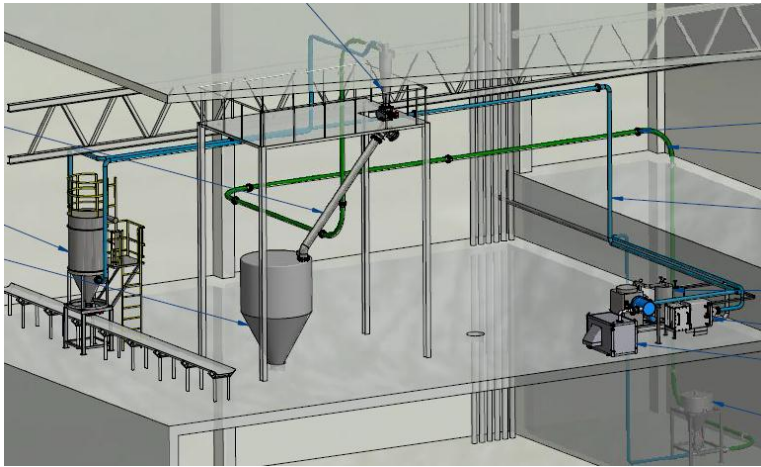
Therec Processing Machine Co., Ltd. www.thereceng.com

Tel (662) 893 9003-4 (5 lines)

Fax : (662) 893 9005 , 893 9178

88 Soi Karnjanapisek 4/2 Karnjanapisek Rd. Bangbon Bangkok
10150 Thailand

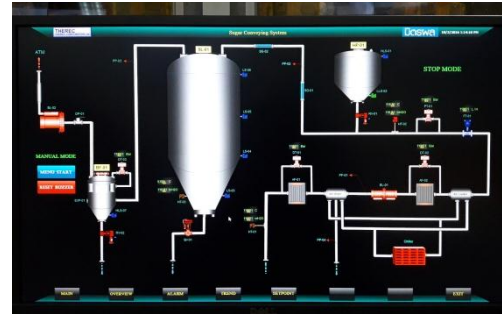
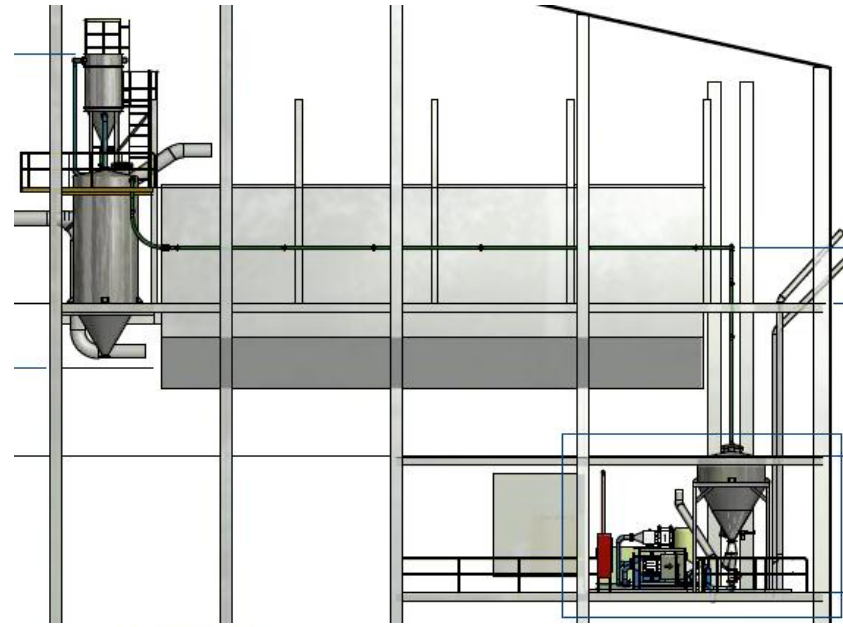
General product TRPM 02 / 2016



Sugar loading system Mitrphol Poowiang

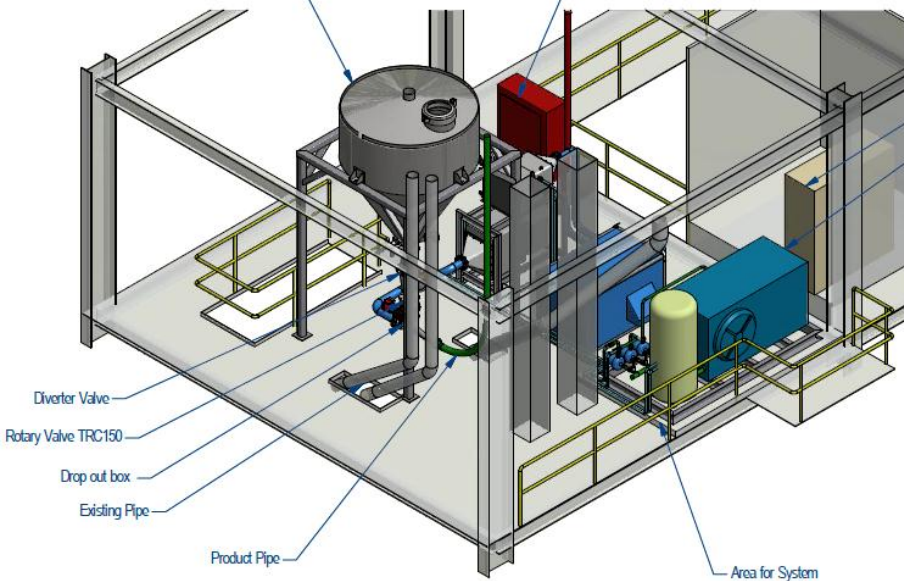
The total system consisting of :

- 1 of 5.0 tons negative Pneumatic conveying systems
- 1 of Stainless steel dumping hopper 2.0 m3
- 1 of carbon steel Bag filter
- 1 of Stainless steel Cyclone material collector
- 1 of Automatic control air cooler with chiller
- 1 of High pressure Roots blower 18.5 kw / 25.0 hp
- 1 of Heavy duty air lock rotary valves Stainless steel 304
- 1 of Electrical control box, with SEMENS S7 1200 PLC ,



Hopper 4 m3 & Structure Set

Existing Fire Station



Sugar loading system (Sugar dust from screener) Mitraphol Pukeaw

The total system consisting of :

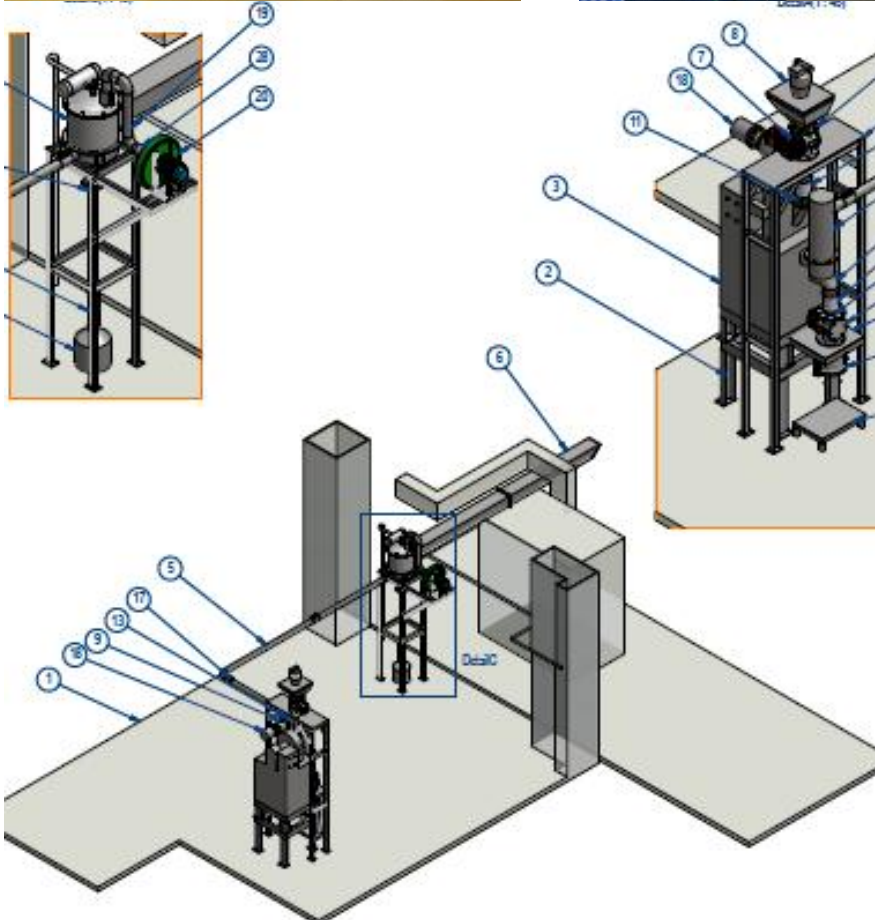
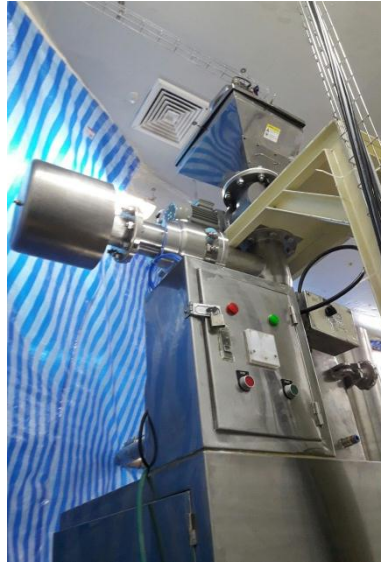
- 1 of 5.0 tons positive Pneumatic conveying systems
- 1 of Stainless steel hopper 4.0 m3
- 1 of carbon steel Bag filter with explosive vent panel
- 1 of Automatic control air dryer and air cooler with chiller
- 1 of High pressure Roots blower 18.5 kw / 25.0 hp
- 1 of Heavy duty air lock rotary valves Stainless steel 304
- 1 of Electrical control box, with SEMENS S7 1200 PLC , with SCADA system connected to PC

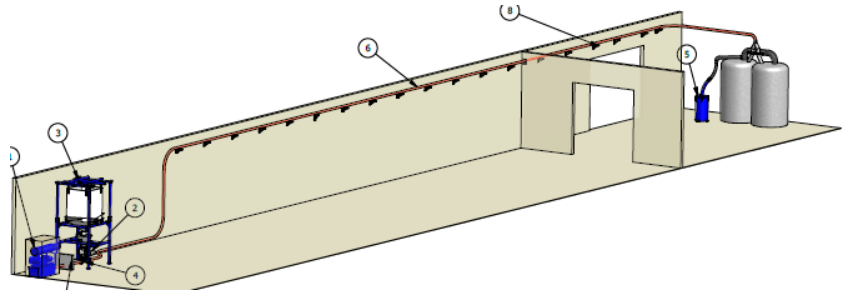
Therec Engineering & Consulting Co., Ltd.

Sugar Grinding system Benjapanpong Co.,Ltd. / A co-packer of Nestle(Thailand)

The total system consisting of :

- 1 of Sugar dust collecting system
- 1 of Atex Isolated valve size 4.0''
- 1 of Stainless steel bag filter with explosive panel
- 2 of Compact easy clean rotary valves Stainless steel 304 ,6.0'' with 2 BFM fitting sets
- 1 of Electrical control box, with SEMENS LOGO PLC





Sugar loading system Tipco food

The total system consisting of :

- 1 of 3.0 tons Pneumatic conveying systems
- 1 of Big bag unloading station
- 1 of High pressure Roots blower 11.0kw / 15.0 hp
- 1 of Heavy duty air lock rotary valves Stainless steel 304
- 1 of Electrical control box, with SEMENS LOGO PLC

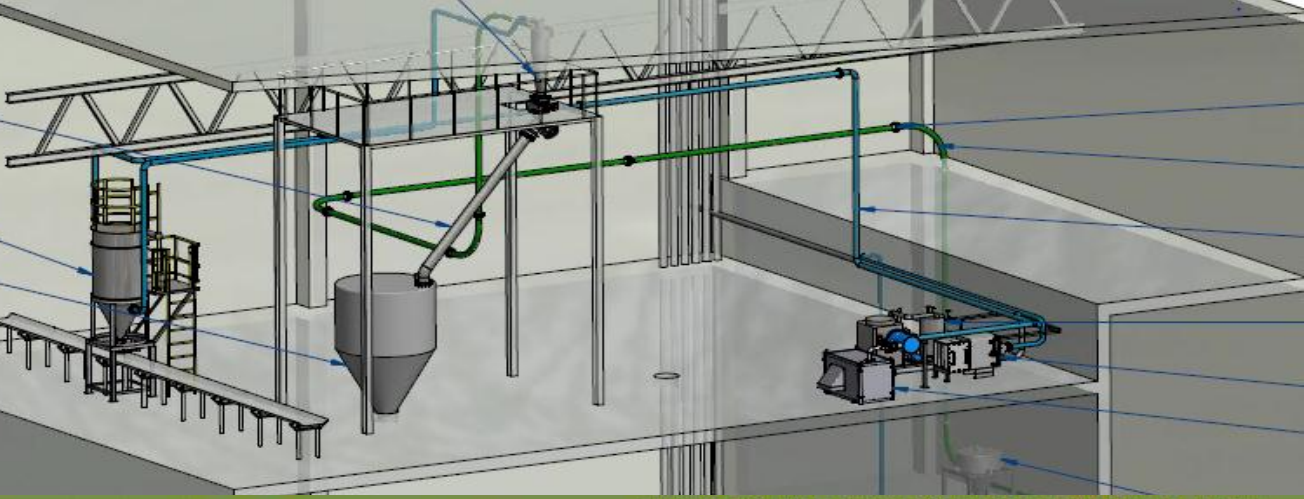


Sugar loading system Dutch mill

The total system consisting of :

- 1 of 3.6 tons Pneumatic conveying systems
- 1 of Stainless steel Cyclone , & Bag filter
- 1 of Big bag unloading station
- 1 of High pressure Centrifugal blower 5.5 kw / 7.5 hp
- 1 of Heavy duty air lock rotary valves Stainless steel 304
- 1 of Electrical control box, with SEMENS LOGO PLC

Bulk Material Handling System Integrator



THERC PROCESSING MACHINE CO.,LTD



Picture from Mitr Phol



- Clear & Complete engineering process design with the main components of the process coming from a single source, precisely matched for the influences system operation with the full reliable service team.



Picture from Mitr Pooweing



Picture from Mitr Pookeaw

Sugar Handling System

- Hygienic process with easy clean feature
- Versatile systems / Dust free operation
- User friendly / Easy to maintenance